



## **DAB-32-4 Heavy Duty - Semi-Automatic Benchtop Series**

### **General Overview**

- Fill Volumes from 10ml to 1100ml
- Easy to Set-up, operate, clean and fast changeovers
- 316 SS product contact parts that deliver fill accuracy in the + / - .05% range
- Durable stainless steel structure
- Filling speed up to 24RPM or 24 cycles per minute
- Includes a Heavy-duty, variable speed 1 HP drive that provides over 3000 in/lbs of torque
- Optional diving nozzle mechanism is available for liquids that foam or string



Unique Performance. Undeniable Quality. Unrivaled Support.  
Go Further, Do More with Filamatic.

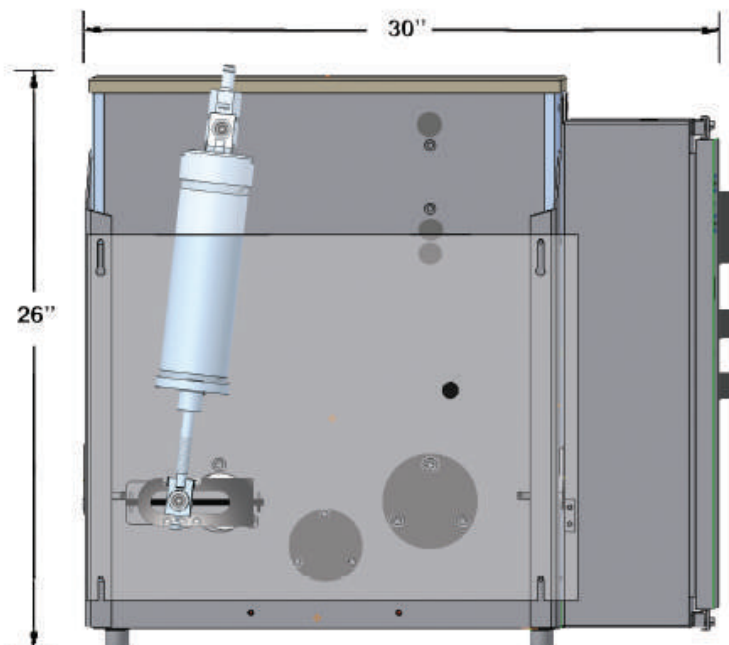
***DAB-32-4 Heavy-Duty  
Semi-Automatic Benchtop Series***

**866.258.1914  
info@filamatic.com  
www.filamatic.com**



## Technical Features

- Fill accuracy + / - 0.5%
- Optional diving nozzle mechanism available
- Product may be supplied from floor level, overhead, or a pressurized source depending on piston pump system selected
- Ability to fill a wide range of containers such as plastic and glass bottles, pouches, syringes, and test tubes
- Manufactured in the USA



| Model      | Fill Stations | Volts      | RPM      | Fill Size     |
|------------|---------------|------------|----------|---------------|
| DAB-32-2   | 2             | 220V       | Up to 24 | 1ml to 1100ml |
| DAB-32-4   | 2             | 220V       | Up to 24 | 1ml to 1100ml |
| DAB-A-32-2 | 2             | 30-40 scfm | Up to 24 | 1ml to 1100ml |

FILAMATIC

4119 Fordleigh Road • Baltimore, MD 21215  
866.258.1914 • [info@filamatic.com](mailto:info@filamatic.com) • [www.filamatic.com](http://www.filamatic.com)