

# Automatic Synchromat



Automatic Synchromat  
Inline Filling Machine

- Accommodates Free-Flowing to Viscous Products and a Wide Variety of Container Sizes and Shapes
- Free Standing Unit with Stainless Steel Construction
- Programmable Controller
- Optional HMI Touchscreen
- Bottom-Up, Locate, and Static Fill Modes for Nozzle Position Control
- Quick Volume Adjustment
- Expandable Design from 2 to 20 Nozzles

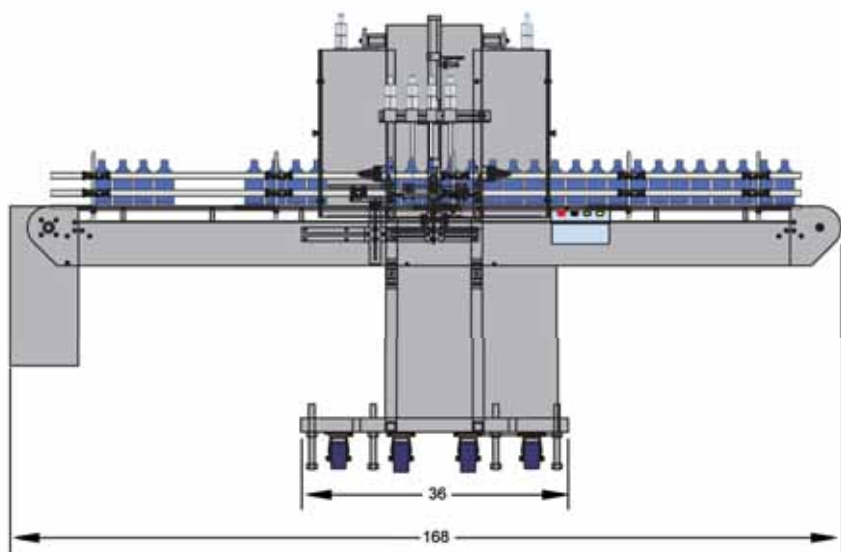
# Synchromat Specifications

## Additional Synchromat Features:

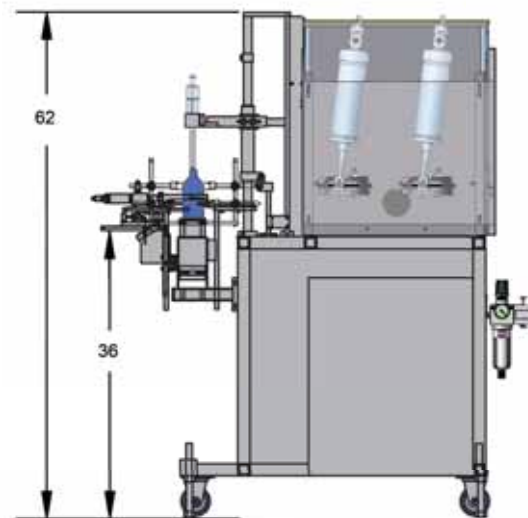
- 💧 Product may be Supplied from Floor Level Reservoir, Overhead Supply, or a Pressurized Source
- 💧 Optional Air Motor Drive Available for Hazardous Environments
- 💧 Optional Multi-Stroke System Extends Range Beyond 1 Liter
- 💧 Fill Accuracy  $\pm .5\%$  or better
- 💧 Fill Rate: Up to 34 cpm with 2 Filling Heads and Up to 200 cpm with 20 Filling Heads

- 💧 A Range of Filamatic Piston Pump Sizes and Models Available

Size of Filling Unit	Number of Filling Units					
	SYN-8-2	SYN-8-4 (no drive bars)	SYN-8-4 (with drive bars)	SYN-32-2	SYN-32-4 (no drive bars)	SYN-32-4 (with drive bars)
1 to 10 mL	2	4	10	2	4	4
3 to 130 mL	2	4	8	2	4	20
80 mL				2	4	20
140 mL				2	4	20
260 mL	2	4	6	2	4	12
280 mL				2	4	12
560 mL				2	4	8
1100 mL				2	4	4



\*Specifications for a standard Synchromat



At Filamatic, our passion is to keep you productive and your filling operation running flawlessly. Ask about our "Peak Performace" Maintenance Program to keep your equipment in optimal condition. You can reach us at 866.258.1914 or [info@filamatic.com](mailto:info@filamatic.com).

