

# Automatic H-CE Molten Products Hot Filler



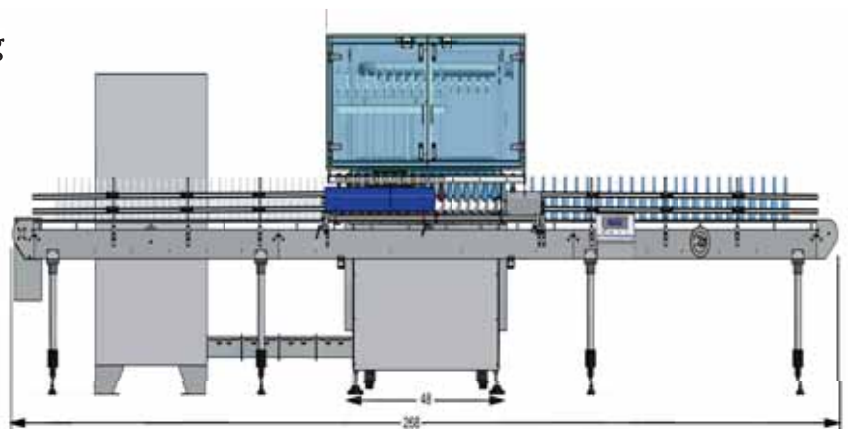
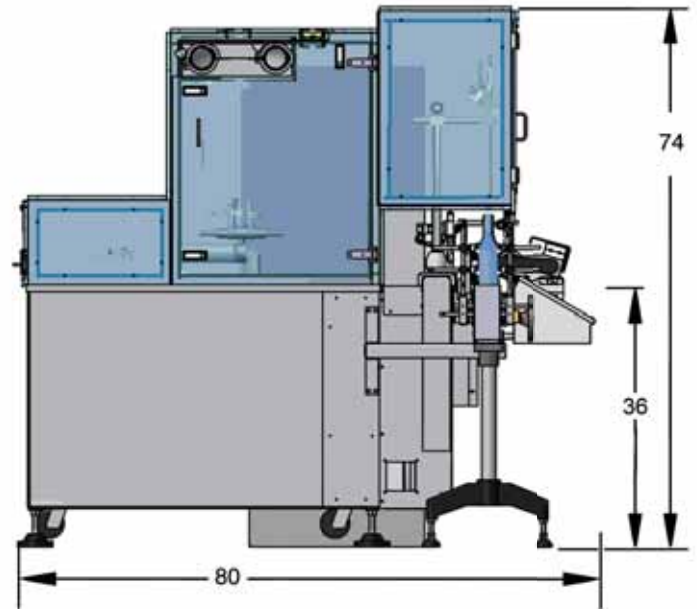
H-CE Molten Products  
Hot Filling Machine

- Fills Liquids or Liquefied Solids up to 190 Degrees Fahrenheit
- Fills Molten Products (Lipstick, Lip Balm, Deodorants, Candle Wax, Ointments) with Ease and Precision
- All product contact parts (Filling Units, Nozzles, Hoses, and Manifold) are Enclosed in a Heated Chamber
- Programmable Controller
- Optional Servo Drive Remote Volume Adjustment
- Optional HMI Touchscreen
- Accommodates a Wide Variety of Container Sizes and Shapes

# Molten Products Hot Filler Specifications

## Additional Molten Filler Features:

- Filling Units can be Disassembled in Minutes for Cleaning, or can be Cleaned In Place with an Optional Flush-Back System
- Optional Hazardous Environment Designs Available
- Fill Ranges from 1mL to 1100mL per Stroke with a Fill Accuracy of  $\pm 0.5\%$
- Fills up to 250 Containers Per Minute
- Locate, Bottom Up, or Static Fill Modes
- Optional Servomotor-Operated Walking Beam Assembly for Continuous-Motion Filling
- Integrates Easily with Upstream and Downstream Components such as Conveyors, Unscramblers, Cappers, and Labelers



Filamatic offers **COMPLIMENTARY** product testing and purchasing options including rentals and lease arrangements. For more information call **866.258.1914** or email **info@filamatic.com**.

