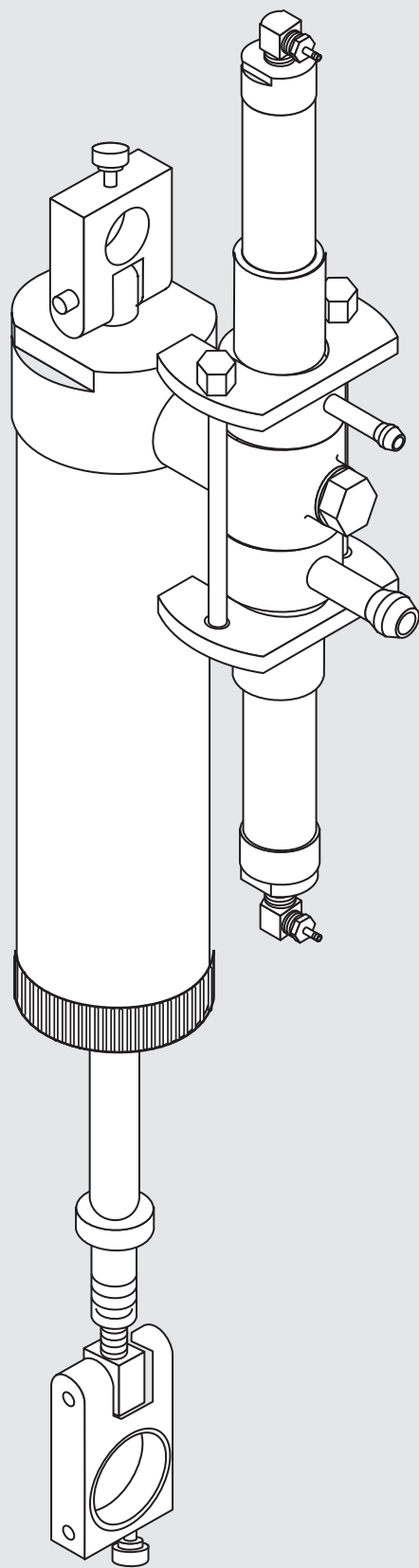
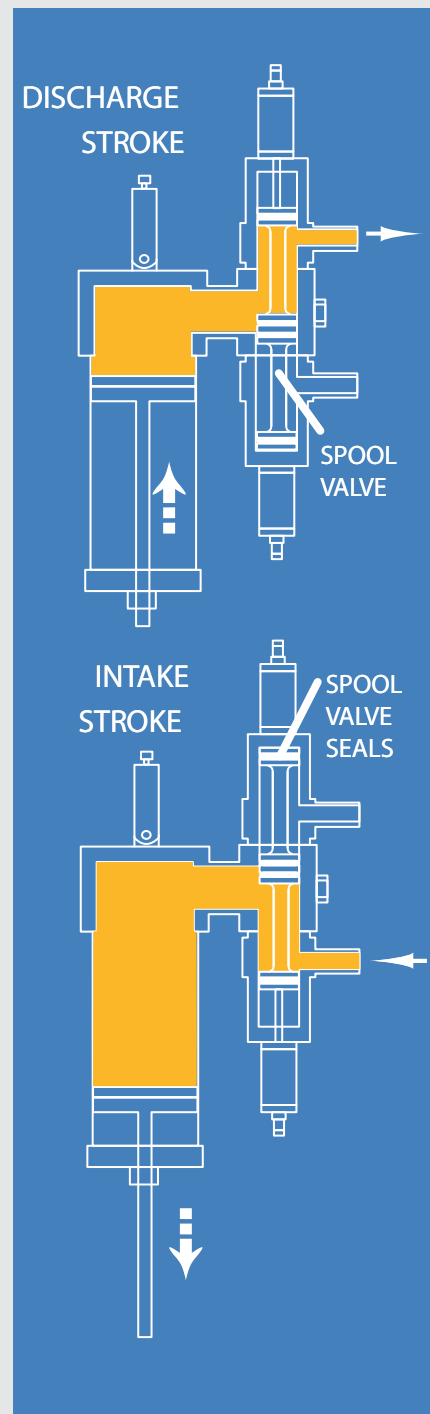


FILAMATIC

Type FSV Filling Units



Capacities: 0.3mL to 1100mL
FVS: These multi-purpose Filling Units are for handling a wide variety of free-flowing to semi-viscous and viscous materials such as perfumes, petroleum jelly, salad dressings, mascara, etc. The FSV Pump can also handle liquids and semi-liquids containing particulate matter. This pump will operate with intake pressures up to 75 psi and are equipped with a positive acting, air operated spool valve.



FILAMATIC



Specialists in Liquid Filling Systems

NATIONAL INSTRUMENT, L.L.C.

BALTIMORE, MARYLAND 21215-2292, U.S.A.

PHONE: 866.258.1914 • www.filamatic.com